



From Walthers

CREATE-A-COURSE BUILDING SYSTEM

ITEM NO. 11189

Darda Track Pieces are all Compatible! Try the 30 layouts shown on the enclosed instruction sheets, or create your own action-packed raceways!

BEFORE YOU BEGIN ... Check the parts list.

1. Unpack the parts. Save the packing materials.
2. Match the parts to the drawings below.
3. If you have each part, put a check in the box next to the picture of the part. Look in the carton again and check all of the packing materials to make sure you haven't missed anything.



WARNING:

CHOKING HAZARD - Small parts.
Not for Children Under 3 Years

 Check off the parts as you identify and count them.	 <input type="checkbox"/> 1 - Standard Car (red motor) <small>may differ from illustration</small>	 <input type="checkbox"/> 1 - Stop & Go Car (blue motor) <small>may differ from illustration</small>	 <input type="checkbox"/> 14 - Loop Joiners	 <input type="checkbox"/> 3 - 48" Flex Tracks	 <input type="checkbox"/> 2 - 41" Flex Tracks
 <input type="checkbox"/> 10 - Track Joiners	 <input type="checkbox"/> 7 - 14 Straight Tracks	 <input type="checkbox"/> 5 - 7" Straight Tracks	 <input type="checkbox"/> 2 - 1.75" Tracks with Joiner	 <input type="checkbox"/> 2 - Curved Support Tracks	 <input type="checkbox"/> 4 - Stacking Bridges
 <input type="checkbox"/> 2 - 180° Curves	 <input type="checkbox"/> 2 - 90° Curves	 <input type="checkbox"/> 47 - Bars	 <input type="checkbox"/> 22 - Couplers	 <input type="checkbox"/> 2 - Modular Base Plates	 <input type="checkbox"/> 2 - Large Base Plates
 <input type="checkbox"/> 4 - Large Joiners	 <input type="checkbox"/> 14 - Loop Halves	 <input type="checkbox"/> 2 - Small Base Plates	 <input type="checkbox"/> 2 - Flexi Curves	 <input type="checkbox"/> 11 - Small Joiners	 <input type="checkbox"/> 8 - Instruction Sheets

IF A PART IS MISSING OR DAMAGED ...

The store where you purchased this item does not have parts. You will get the easiest service from **Darda**.

Tell us the part(s) needed and be sure to include your name and address printed clearly. Mail to:

Walthers / 5601 W. Florist Ave. / Milwaukee, WI 53218 / ATTN: **Darda**

Refer to the enclosed instruction sheets to learn how the parts are used, how to build each layout, and how to care for your Darda cars. Questions or problems? Call us toll-free 1-800-773-9350.

RM759187R1

To Build the Super Set on the Front of This Package

Note: This Super Set is a Super challenge! It is a good idea to practice first with the smaller sets described in your instruction sheets and become familiar with Darda construction before tackling the Super Set.

1. Connect two modular base plates using three bars.

- Slide **bars** half way into each of the three channels on the underside of one of the **base plates**.
- Line the second base plate up so that the bars from the first base plate slide into the empty channels of the second base plate. Slide base plates together firmly so that there are no gaps in between them.

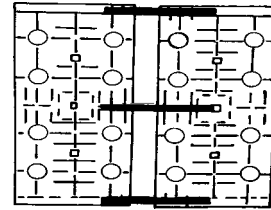


figure 1

2. Build the tower as shown in figure 2, using 44 bars and 26 couplers. Begin by pushing the bars into the built-in squares on the modular base plate, and build up from there.

- Once the tower is built, add **large joiners** by removing the appropriate bar and sliding the bar into the short channel on the underside of the large joiner. Then replace bars with the large joiners facing in the direction shown.
- Attach **flex tracks** to the **large joiners** as shown. Be sure flex tracks meet in the center of the large joiners and that there are no gaps.
- To add the **three small joiners**, first **remove** the appropriate bars. To connect flex tracks to small joiners, twist the **flat side** of the **small joiner** into the grooves on the **underside** of the flex track. Then **replace** the bars.
- Add two **14"** straight tracks, one **7"** straight track and **flexi-curve** as shown in **figure 2**. Use the built-in track joiners on the base plate to connect straight track pieces to each other, as shown. Use regular track joiners to connect 14" to flexi curve as shown.

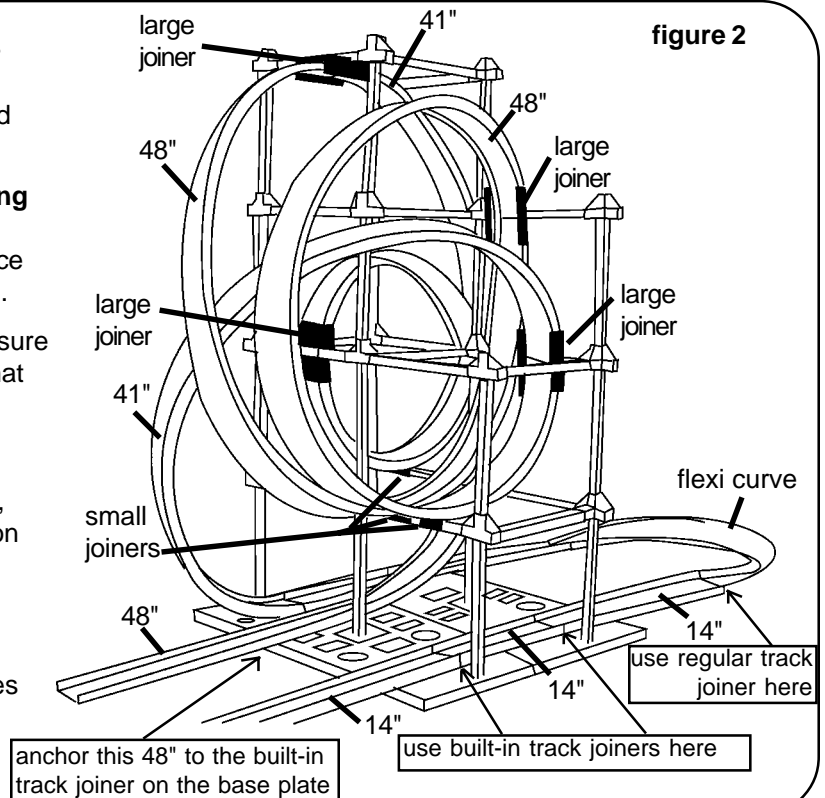


figure 2

start
standard
car on the
14"
straight
track just
before
flexi curve

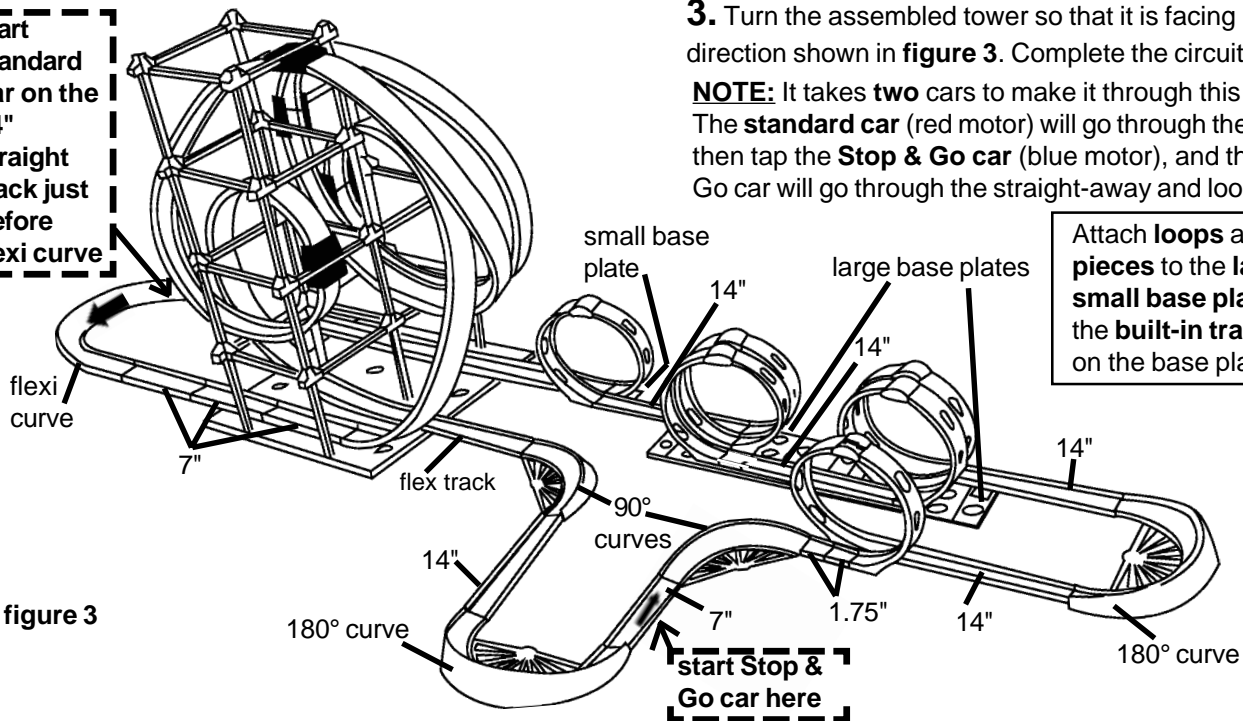


figure 3

3. Turn the assembled tower so that it is facing in the direction shown in figure 3. Complete the circuit as shown.

NOTE: It takes **two** cars to make it through this Super Set. The **standard car** (red motor) will go through the tower, then tap the **Stop & Go car** (blue motor), and the Stop & Go car will go through the straight-away and loops.

Attach loops and track pieces to the large and small base plates using the built-in track joiners on the base plates.