

TWISTING TOWER

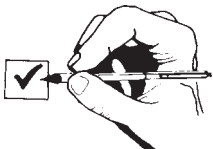

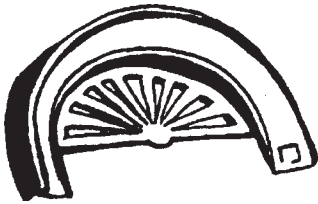
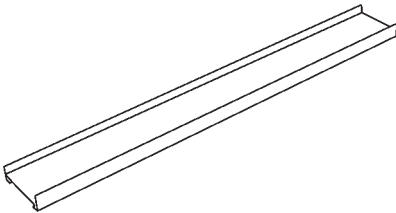

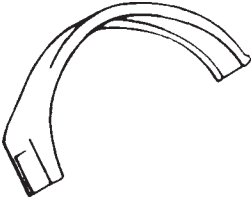
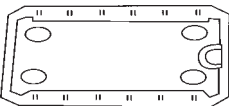

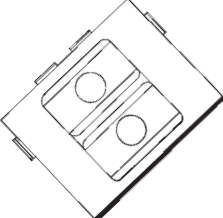
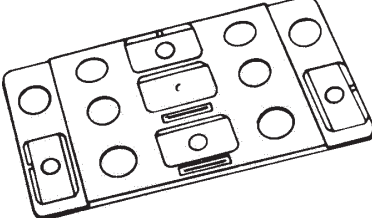

BEFORE YOU BEGIN ...

1. Unpack the parts. Save the packing materials.
2. Match the parts to the drawings below.
3. If you have each part, put a check in the box next to the picture of the part. Look in the carton again and check all of the packing materials to make sure you haven't missed anything.



WARNING:

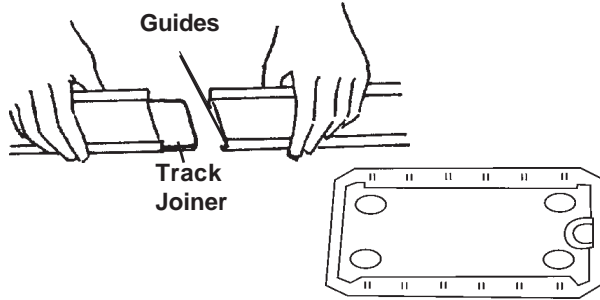
CHOKING HAZARD - Small parts.
Not for Children Under 3 Years

CHECK LIST		
<input type="checkbox"/>		<input type="checkbox"/> DARDA RACER (1) 
<input type="checkbox"/> CURVE TRACK (1) 	<input type="checkbox"/> 14" STRAIGHT TRACK (4) 	<input type="checkbox"/> 7" STRAIGHT TRACK (2) 
<input type="checkbox"/> LOOP HALVES (12) 	<input type="checkbox"/> TRACK JOINERS (4) 	<input type="checkbox"/> LOOP JOINERS (12) 
<input type="checkbox"/> SMALL BASEPLATE (2) 	<input type="checkbox"/> LARGE BASEPLATE (1) 	<input type="checkbox"/> STACKING BRIDGES (3) 

IF A PART IS MISSING OR DAMAGED ...

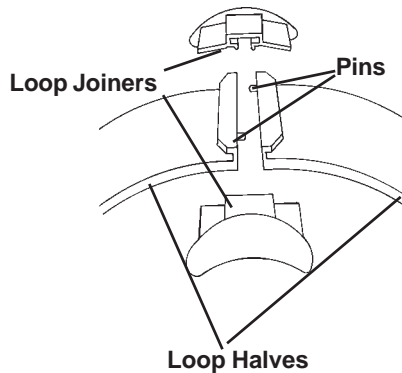
The store where you purchased this item does not have parts. You will get the easiest service from **Walthers**. Tell us the part(s) needed and be sure to include your name and address printed clearly. Mail to Wm. K. Walthers, Inc./ 5601 W. Florist Ave./Milwaukee, WI 53218/ Attn.: DARDA.

READ ALL INSTRUCTIONS BEFORE YOU BUILD YOUR TRACK LAYOUT!!!



USING TRACK JOINERS

Slide the Track Joiner - with the raised edges facing down - half way into the channel on the underside of the track piece. Now slide the adjoining track piece over the open half of the joiner, so that it meets the first piece. Be sure the tracks meet with no gaps.

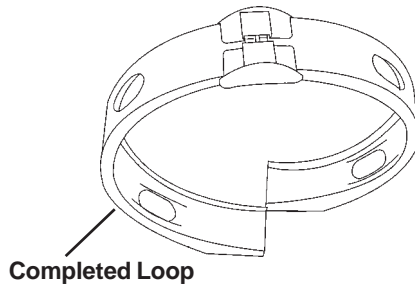


STEP 1 • MAKING LOOPS

Put two loop halves together so that the pins at the top of each loop half go into the proper holes, creating a tight fitting seam between the two loop halves.

Holding the loop halves together, slide one loop joiner over one end of the seam and the other loop joiner over the other end of the seam.

NOTE: Make the 6 loops in this set before building the track.



STEP 2 • ATTACHING TRACK

Refer to figures 1 & 2

Attach two **14" straight tracks** to the **large baseplate** by sliding the ends over half of the built-in **track joiners**. The other end of the 14" track will connect to the **small baseplates** (as shown below). Attach remaining two **14" straight tracks** to the **small baseplates** over half of the free built-in track joiners. Using enclosed loose **track joiners**, Connect the **7" straight tracks** to the **14" straight tracks**.

Next, connect the **curve track** to the open ends of **7" straight tracks** using **track joiners**. Your track should now look like **FIGURE 1**.

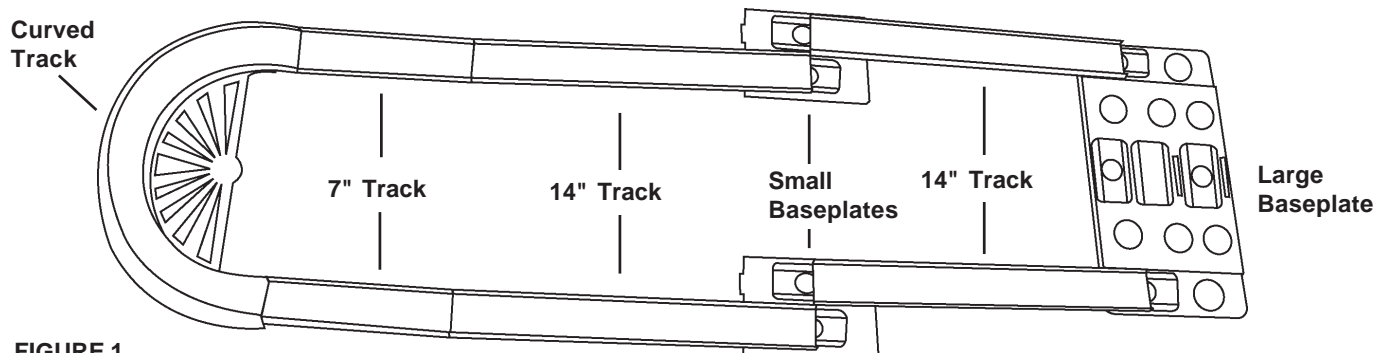
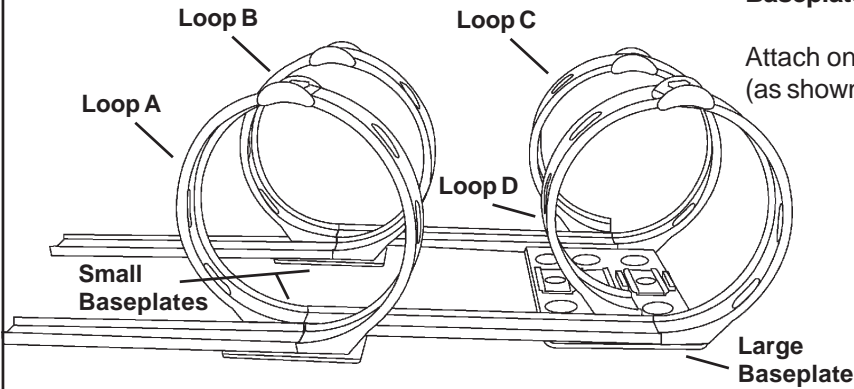


FIGURE 1

FIGURE 2

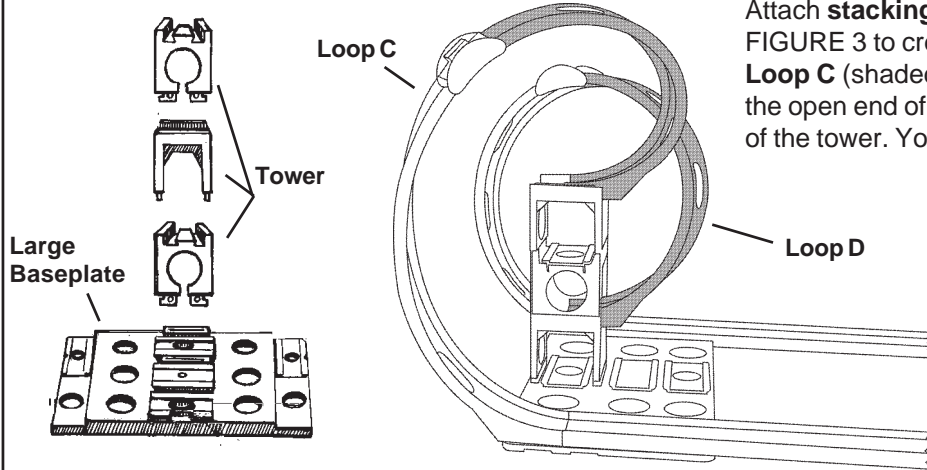


STEP 2 (CONTINUED)

Referring to FIGURE 2, attach **Loops A & B** to **Small Baseplates**.

Attach one end of Loop C & D to the Large Baseplate (as shown).

FIGURE 3

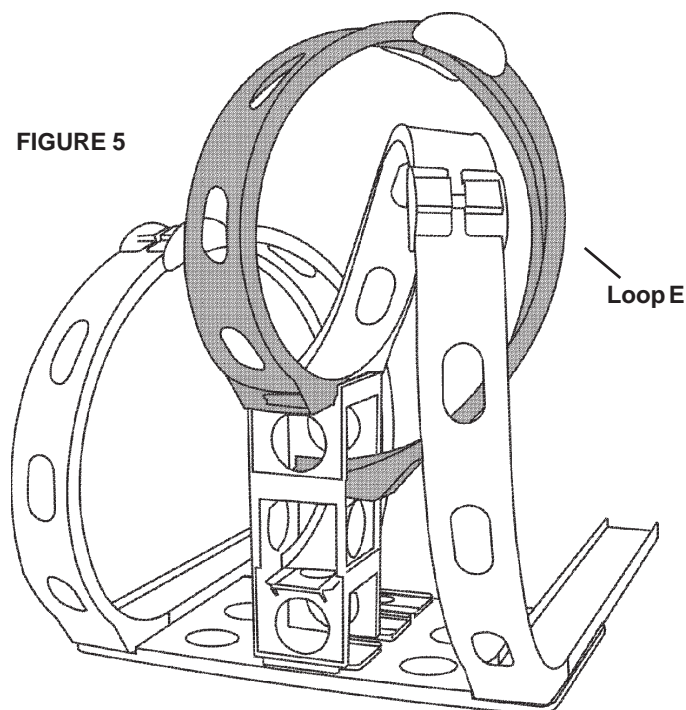


STEP 3 • ATTACH TRACK TO TOWERS

Attach **stacking bridges** onto the track as shown in FIGURE 3 to create the tower. Attach the open end of **Loop C** (shaded gray) to the top of the tower. Next attach the open end of **Loop D** (shaded gray) to the second tier of the tower. Your tower should now look like FIGURE 4.

FIGURE 4

FIGURE 5



STEP 4 • LOOPS TO TOWER

Complete the track layout by attaching **Loop E** (shaded gray) to tower top and third tier of tower as shown in FIGURE 5.

Then, attach **Loop F** to other half of second tier of tower and to open end of third tier of tower (FIGURE 6). Be sure there are no gaps and that the track joiners are completely covered.

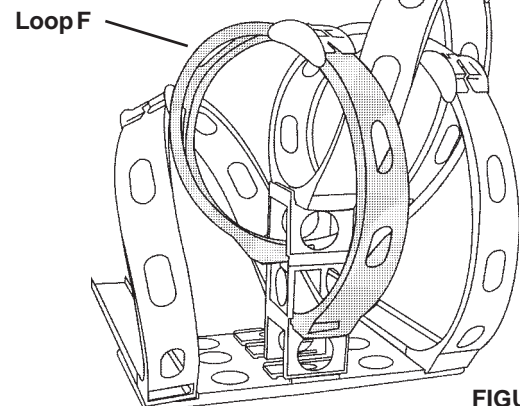
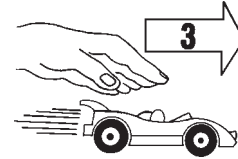
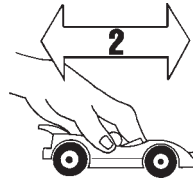
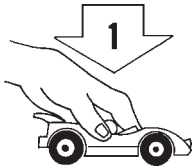


FIGURE 6

READY, SET GO!!!

Place your vehicle on the track then,

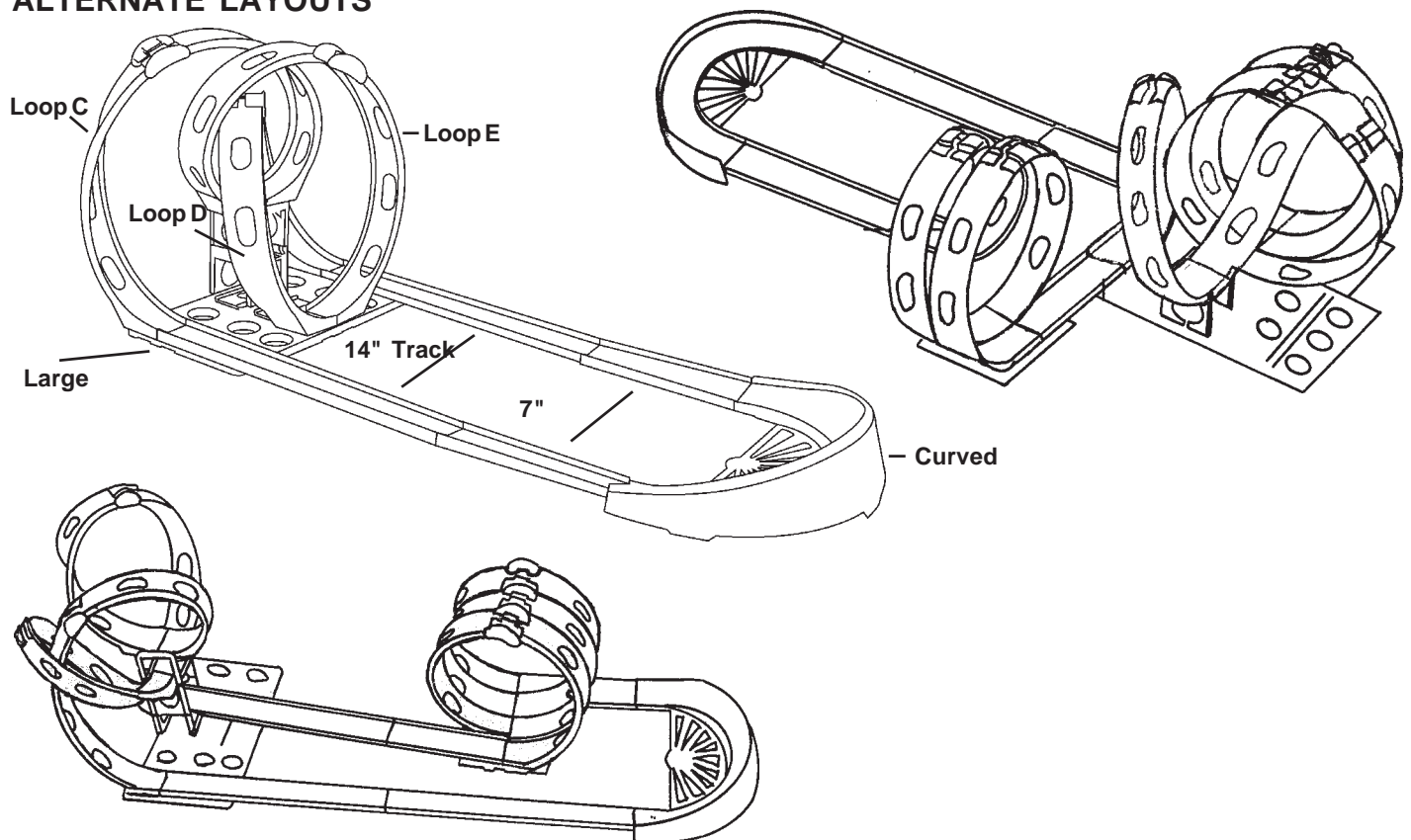
1. Press down on vehicle body until you hear a click.
2. While still pressing down, roll vehicle back & forth until the clicking sound gets louder.
3. Lift your hand up off the vehicle while rolling forward. Watch it go!



Tips

- Be sure that the vehicle is fully wound by listening for the click to get louder before releasing it.
- Have fun with your Darda vehicles on or off the Darda track. For longer life **DO NOT** run on carpet.
- Replacement motors are available at your local specialty toy store; or contact Darda at the number below.

ALTERNATE LAYOUTS



TRACK TIPS

- Read all assembly instructions carefully.
- If your vehicle has trouble making it around the track, try the following: 1) Be sure that all track seams meet and connections are secure. Track pieces must meet flush against each other where they are connected with track and loop joiners, without gaps or bumps at the joint. 2) It may be necessary to play with, adjust, or slightly bend loops in track layouts to maximize performance. Remember Darda track is flexible.
- Darda track layouts can be set up on any flat surface. While it is not ideal, your track can be set up on carpet. We do recommend dusting off the track before use so that the dust particles from the carpet do not jam the motor. We do not recommend running the vehicle itself on carpet.
- Double check your assembly instructions, if you still have difficulty we want to help!

Call our toll free consumer hotline... 1-866-833-1468. (Mon.-Fri., 9:00am-3:30pm (Central Standard Time))